

Justice Design Group

Installation Instructions Ring Chandelier

For POR, FAL, CNDL and GLA Models series: NSH-8048

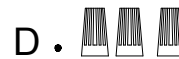
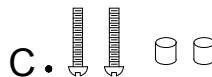
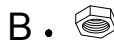
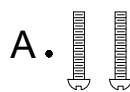
IMPORTANT

- Justice Design recommends that a licensed electrician install this lighting fixture
- Installation must comply with all building, safety, and electrical codes and requirements
- Disconnect power to the junction box prior to installation
- Do not reconnect power until this fixture is properly installed
- This fixture is designed to mount to a standard metal 4 inches octagonal junction box



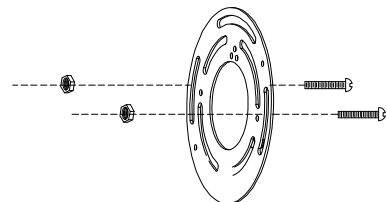
Hardware Pack contains:

- A. 2 - Mounting Screws
- B. 2 - Hex Nuts
- C. 2 - Finial Screws & Finals
- D. 3 - Wire Nuts
- E. 1 - Universal Mounting Ring



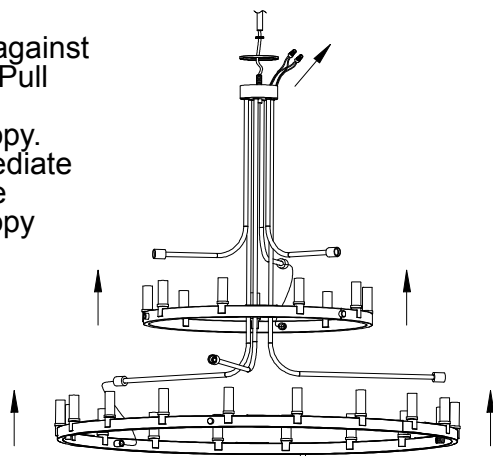
1

Thread two Final Screws all the way into the outer pair of holes in Universal Mounting Ring. Secure with Lock Washer and Hex Nut.



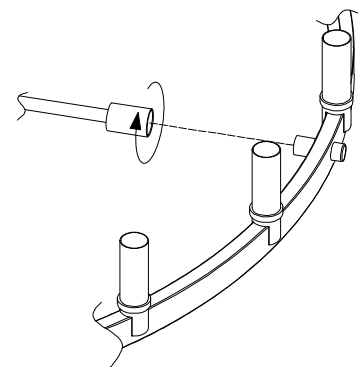
2

Attach ring by positioning arms against threaded conduit. Pull excess wire into intermediate canopy. Assemble intermediate canopy. Assemble intermediate canopy using ball finial.



3

Make sure that all connections are aligned and tight.



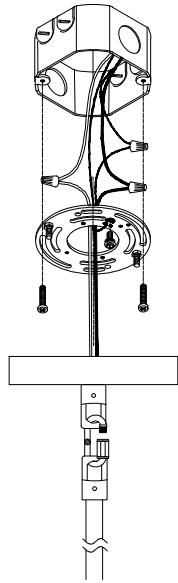
500 S. Grand Avenue, Suite 1100 • Los Angeles, CA 90071
Tel (213) 437-0102 • Fax (213) 437-0860 • E-mail: sales@JDG.com • Website: www.JDG.com

NSH-8048
©05/19/23

Pendants

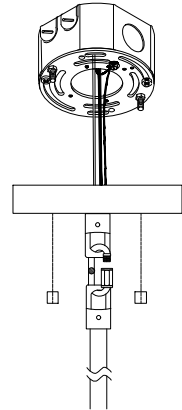
4

Tuck wires and wire nuts into junction box. Attach Universal Mounting Ring to junction box using Mounting Screws.



5

Place fixture canopy onto the mounting plate studs, and secure it in place by screwing the cap nuts onto the threaded studs.



6

Install bulbs. Take care never to exceed maximum wattage.

Please see the additional enclosed sheet for care instructions.

