

Installation Instructions I-Light ADA Wall Bracket

For Models: POR-8931, FAL-8931, CNDL-8931

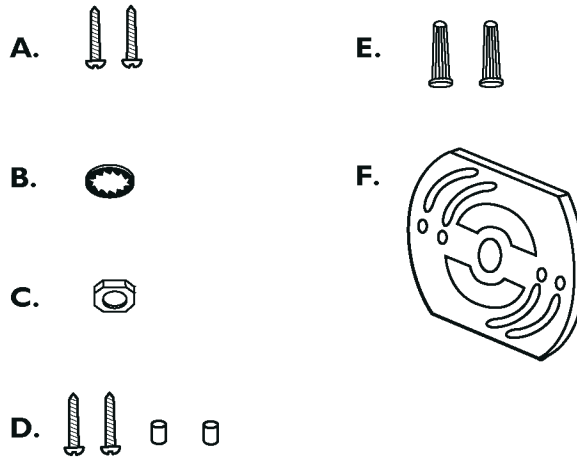
IMPORTANT

- Justice Design recommends that a licensed electrician install this lighting fixture
- Installation must comply with all building, safety, and electrical codes and requirements
- Disconnect power to the junction box prior to installation
- Do not reconnect power until this fixture is properly installed
- This fixture is designed to mount to a standard metal 4-0 octagonal junction box



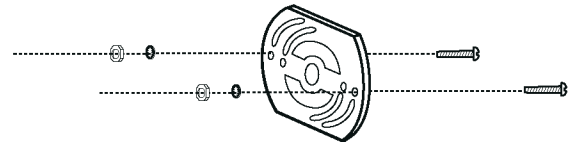
Hardware Pack contains:

- A. 2 - Mounting Screws
- B. 2 - Lock Washers
- C. 2 - Hex Nuts
- D. 2 - Finial Screws & Finals
- E. 2 - Wire Nuts
- F. 1 - Universal Mounting Ring



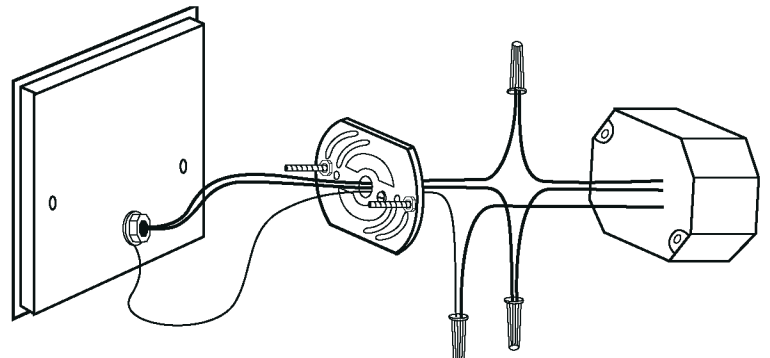
1

Thread two Final Screws all the way into the outer pair of holes in Universal Mounting Ring. Secure with Lock Washer and Hex Nut.



2

Pull fixture wires through center hole of Universal Mounting Ring. Connect fixture wires to supply wires using Wire Nuts. Observe polarity: black to power, white to neutral, and bare copper to green ground.

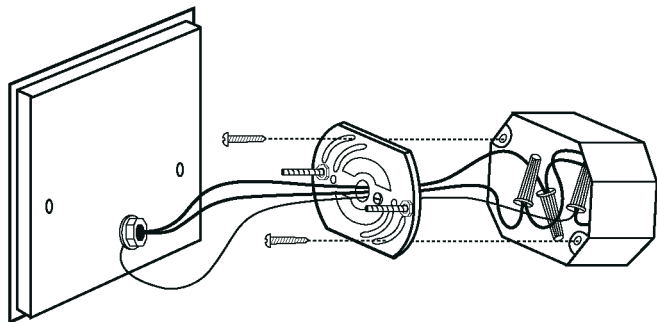


I-Light ADA Wall Bracket

Justice Design Group page 2

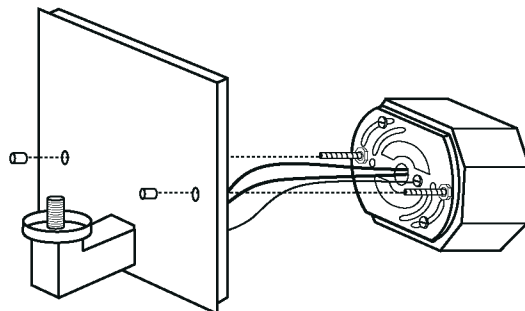
3

Tuck wires and wire nuts into junction box. Align Universal Mounting Ring so Finial Screws are horizontal and level. Secure Universal Mounting Ring to junction box using Mounting Screws.



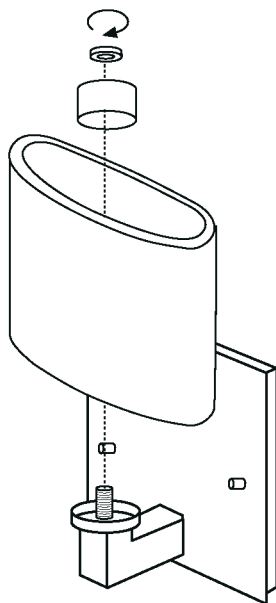
4

Attach fixture to Universal Mounting Ring by placing fixture onto Final Screws. Secure fixture with Finials. Be careful not to over-tighten Finials or you may damage fixture.



5

Attach shade by placing over fixture arm and secure with shade spacer and shade lock ring.



6

Install bulb. Take care never to exceed maximum wattage.

Please see the additional enclosed sheet for care instructions.

