

INSTALLATION INSTRUCTIONS

For Item Number: **CER-3030**



ATTENTION:

FAILURE TO INSTALL THIS FIXTURE PROPERLY MAY RESULT IN SERIOUS PERSONAL INJURY OR DEATH AND/OR PROPERTY DAMAGE. DO NOT EXCEED MAXIMUM WATTAGE NOTED ON FIXTURE.

Justice Design recommends installation by a licensed electrician. This product must be installed in accordance with all building, safety, and electrical code(s) and requirements.

Before discarding the packaging, double check the carton to make sure all parts have been removed. This fixture is designed to mount to a standard metal 4" octagonal junction box.

CAUTION: BE SURE POWER IS OFF AT THE MAIN BREAKER BOX PRIOR TO INSTALLATION.

- Carefully unpack the fixture (A) from the carton.
- Thread two studs (C) into the appropriate holes in the mounting bracket (B) that align with fixture (A) and desired orientation. Leave enough length to ensure threaded posts will protrude through body of fixture.
- Pull fixture wires through mounting bracket (B). Using suitable wire nuts (not included) connect fixture wires to supply (white to white and black to black). Loop copper lead around ground screw (F) before connecting ground wires (bare copper to bare copper OR green).

CAUTION: MAKE SURE WIRE CONNECTORS ARE TWISTED ON SECURELY, AND NO BARE WIRE IS EXPOSED.

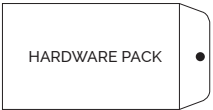
- Carefully tuck all wired connections into the j-box taking care to ensure no wires are pinched. Using two machine screws (D) attach mounting bracket (B) to the j-box using outer oval holes to orient fixture. Use a level to adjust before tightening down.

- Adjust the studs (C) to proper length to ensure the fixture will fit snugly against the wall.
- Carefully tuck all wires behind fixture, push fixture firmly against the wall. Secure by threading Finials (E) onto threaded studs (C). Do not over-tighten as this may damage your fixture.

Note: Be sure no wires are pinched between the wall and the fixture. Be sure threaded studs are fully seated in finials.

- Install bulb (G), not included, into socket.
- Install glass globe (H) over lamp by threading in a clockwise rotation taking care to stop threading when you reach finials.
- Ensure fixture is properly installed firm against the wall. Restore electricity at the main breaker.

HARDWARE PACK CONTAINS:



B. Universal Mounting Bracket
 C. (2) 1 3/4" long 8-32 threaded studs
 D. (2) 8-32 Machine Screws
 E. (2) Brushed Nickel Finials

