

Justice Design Group

Installation Instructions

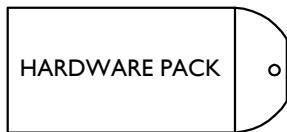
ALPINO FAMILY

3-Light Wall

For Model series : FSN-8031,FSN-8032,FSN-8033,FSN-8034

IMPORTANT

- Justice Design recommends that a licensed electrician install this lighting fixture
- Installation must comply with all building, safety, electrical codes and requirements
- Disconnect power to the junction box prior to installation
- Do not reconnect power until this fixture is properly installed
- This fixture is designed to mount to a standard metal 4 inches octagonal junction box



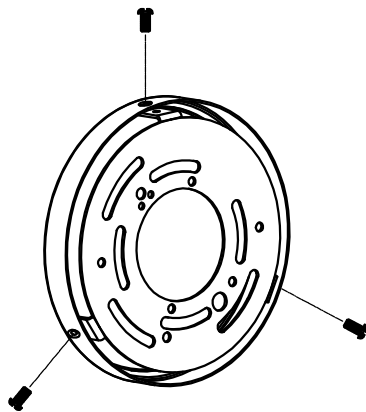
Hardware Pack contains:

- A. 2-Mounting Screws
- B. 2-Wire Nuts



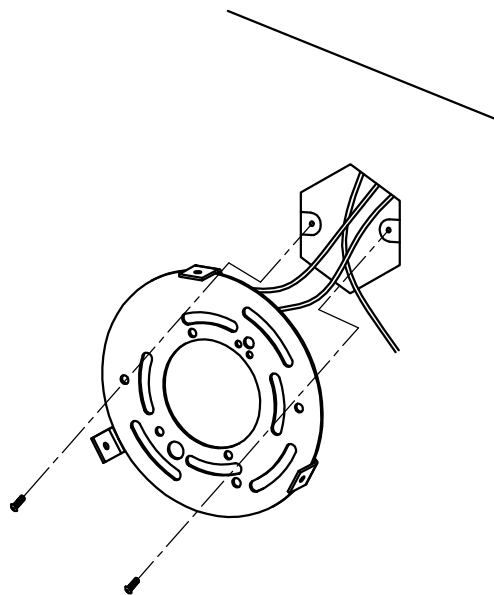
1

Remove screws securing fixture to Mounting Plate.



2

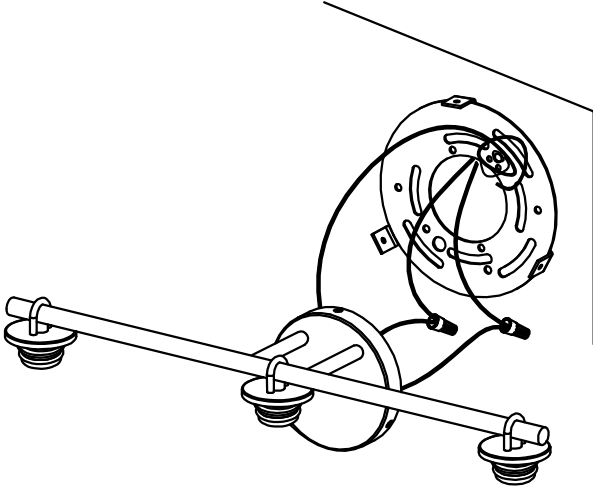
Hold Mounting Plate to wall at junction box .
Pull supply wires through center hole of Mounting
Plate. Secure to junction box using Mounting Screws.



3-Light Wall

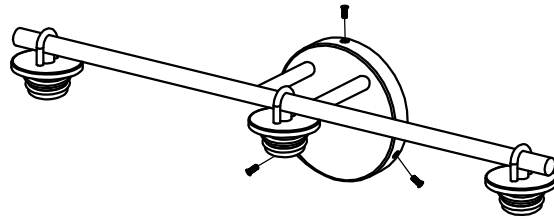
3

Connect fixture wires to supply wires using wire nuts. Observe polarity : black to power, white to neutral, and bare copper to green ground. Tuck wires and wire nuts into junction box.



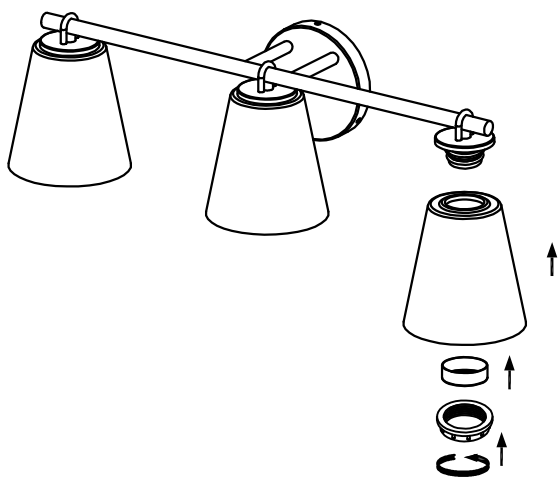
4

Reattach fixture to Mounting Plate using screws.



5

Attach shade by placing over fixture arm. Secure with shade lock ring.



6

Install bulb. Take care never to exceed maximum wattage. Please see the additional enclosed sheet for care instructions.

